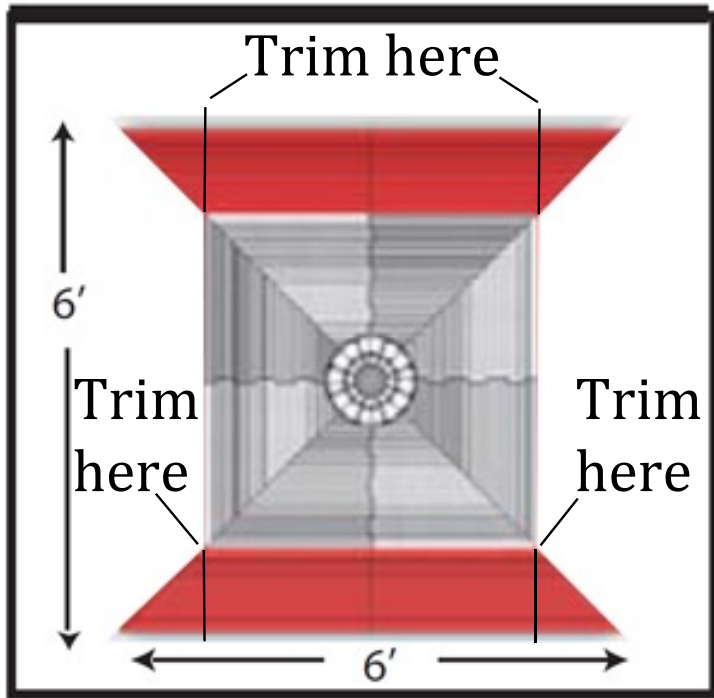
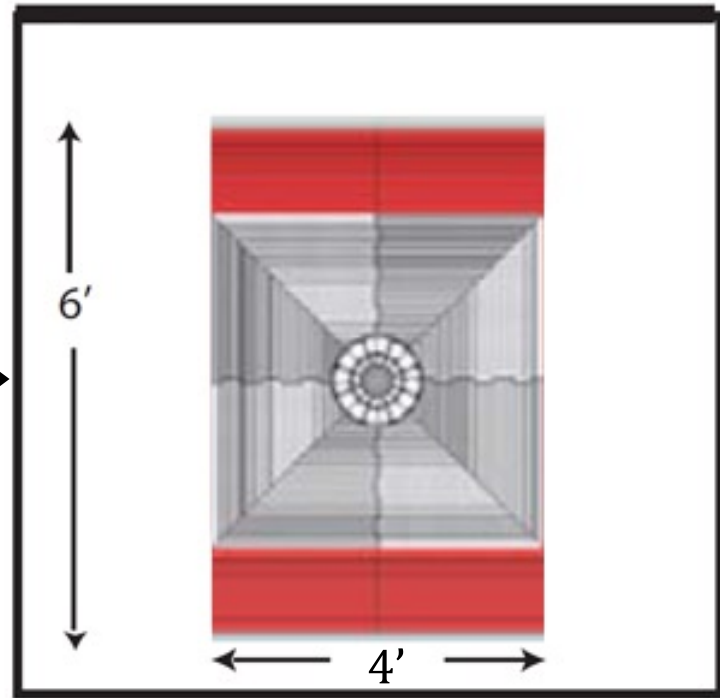


Creating Your 48 x 72 Shower Pan

48 x 48 tray with one extension set (4 pieces)



After trimming extension pieces, a 48 x 72 is created



The extension sections were designed for use with either a 72 x 72 pan layout or a 48 x 72. With the 48 x 72 layout, you must trim the triangular section from each of the four extension pieces as shown. Any fine-toothed hand or power saw will easily accomplish this task.